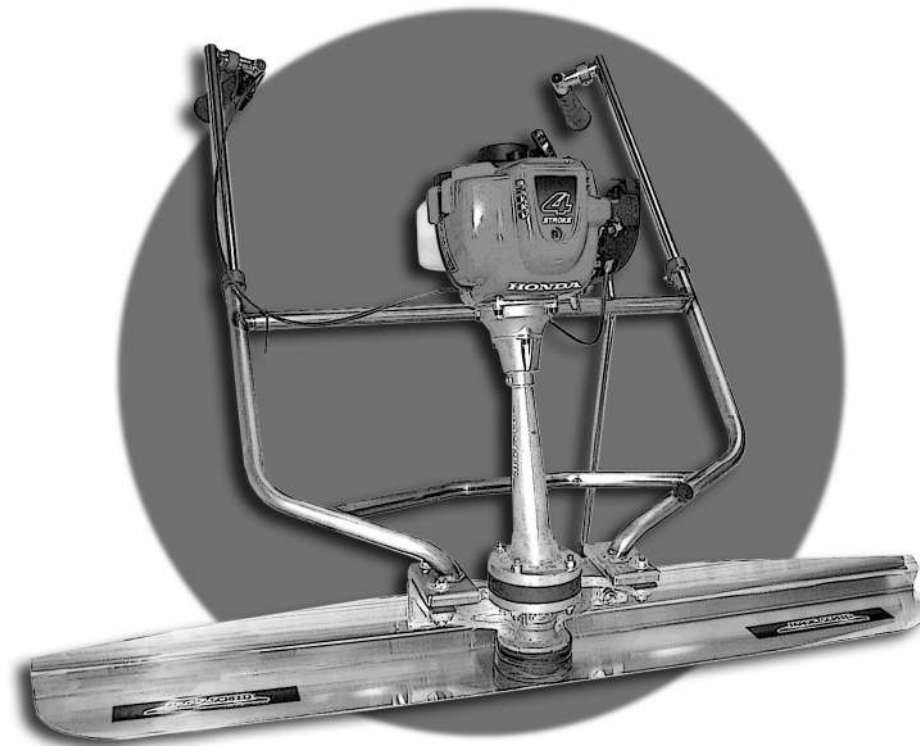


MAGIC SCREED®

www.magicscreed.com



PARTS BOOK & OWNER'S MANUAL

MAGIC SCREED PARTS BOOK & OWNER'S MANUAL

Congratulations on your selection of *Magic Screed*.

Magic Screed is manufactured for contractors and entrepreneurs in need of a dependable, user friendly, high productivity tool to operate for leveling and smoothing wet concrete. **Any other use of this tool could damage it or even cause injuries or death to the operator and surrounding coworkers.**

Unfortunately, it is impossible to warn you about all the hazards associated with operating or maintaining a powered screed. **You must use your own good judgement.**

This manual and the *Honda* engine manual supplied with your *Magic Screed* should always remain with the equipment. *Safety* instructions, assembly, maintenance and parts lists are included.

For your own *safety*, and that of your coworkers, it is required that anyone operating or servicing the screed, read and understand the safety instruction in this manual. **Failure** to do so could result in personal *injury, death* or *equipments damage*.

TABLE OF CONTENTS

Safety.....	p . . 3
Service, cleaning and operation.....	p . . 4
Assembly & starting procedure.....	p . . 5
Warning logos on your screed	p . . 6
Honda engine	p . . 6
Magic screed assembly.....	p . . 7
Parts book.....	p . . 8
	p . . 9
Magic screed parts assembly.....	p . 10
	p . 11
	p . 12
	p . 13
Air powered screed.....	p 14
Ec declaration of conformity.....	p 15

SAFETY

- 1- Read and understand the owner's manual before operating or servicing the screed
- 2- Have a first aid kit available in case someone gets injured
- 3- Wear the appropriate safety gear (according to your local requirement)
Suggested list of protection gear

-  Hardhat
-  protective boots
-  protective goggles
-  gloves
-  hearing protection

- 3- **Carbon monoxide hazard:** Exhaust gas contains poisonous carbon monoxide. Avoid inhalation of exhaust gas. Never run the engine in a closed or confined area without proper ventilation

⚠ WARNING

Carbon monoxide gas is toxic. Breathing it can cause unconsciousness and even kill you.

Avoid any areas or actions that expose you to carbon monoxide.



- 4- **Burns from hot parts:** Let the engine and exhaust system cool before touching.
- 5- Do not put your hands on any vibrating or moving parts.
- 6- **Refuelling:** refuel with care. Gasoline is extremely flammable, and gasoline vapor can explode. *Refuel outdoors, in a well-ventilated area, with the engine stopped.* Never smoke near gasoline, and keep flames and sparks away. Always store gasoline in an approved container. If any fuel is spilled, make sure the area is dry before starting the engine.

⚠ WARNING

Gasoline is highly flammable and explosive.

You can be burned or seriously injured when handling fuel.

- Stop the engine and keep heat, sparks, and flame away.
- Handle fuel only outdoors.
- Wipe up spills immediately.

Use unleaded gasoline with a pump octane rating of 86 or higher.

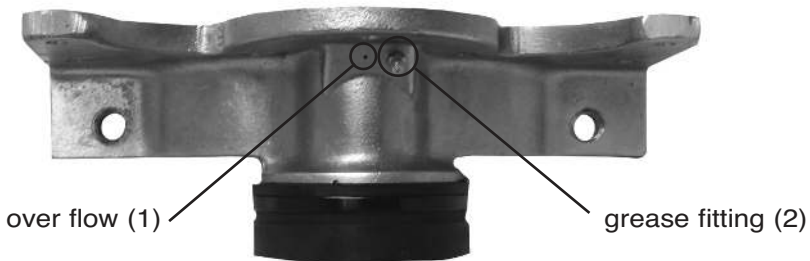
Transporting: if the engine has been running, allow it to cool off for at least 15 minutes before loading the screed on a transport vehicle. A hot engine and exhaust system can burn or can ignite some materials.

SERVICE, CLEANING AND OPERATION

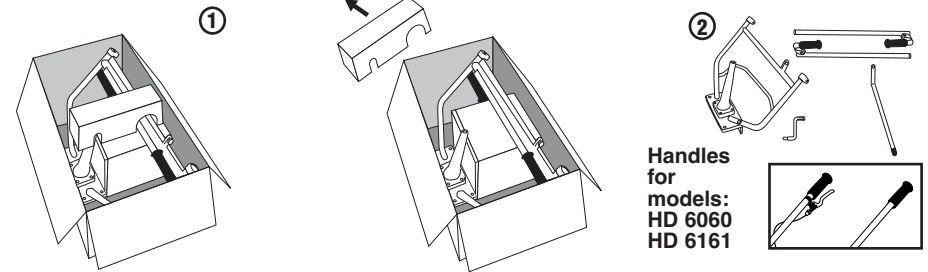
HONDA ENGINES:

Refer to your Honda owner's manual.

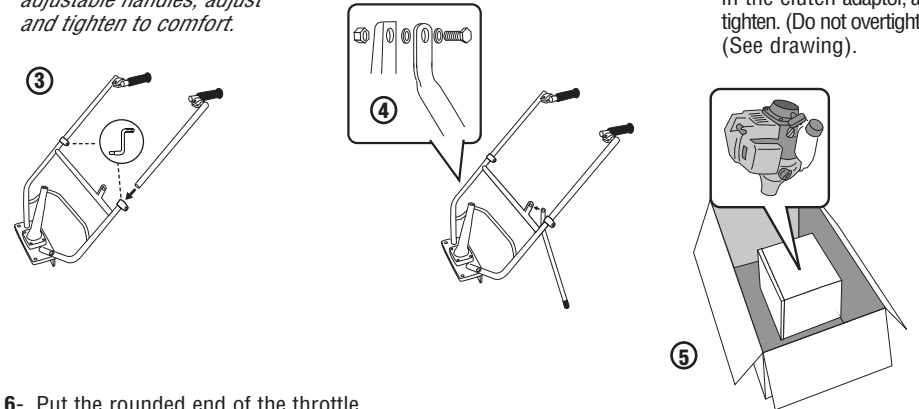
1. Before cleaning, servicing or repairing your screed, stop the engine and wait for any moving parts to stop then remove the spark plug cap.
If the engine has been running, allow it to cool off for at least 15 to 20 minutes before cleaning with water.
2. **Grease:** the housing weight must be greased approximately every ten hours of operation. Do not *over grease*. An over flow (1) is located at the opposite side of the grease fitting (2) and must be cleaned before each greasing to prevent pressure from being applied by the grease on the bearing. Any such pressure could seize the bearing or damage your housing weight.
3. Your screed should be disassembled frequently for proper cleaning in order to prevent any concrete build-up that could **break or prematurely damage** your equipment. *Warranty does not cover damage or performance problems on your screed resulting from neglected maintenance or cleaning.*
4. Take apart the blade and clean any concrete accumulation.
5. Take apart the housing weight from the handles and clean the concrete underneath the handles and in the housing shaft.
6. Take the rubber cover off and clean any concrete or grease accumulation to allow the counterweight to move freely.
7. Put everything back together making sure that the plastic spacers are between the blade and the housing weight. Tighten the blade following the assembly procedure to 85 to 100 Lb.-Ft. torque it is very important that the plastic spacers are always between the vibrator and the blade.



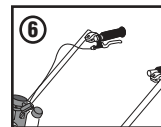
- 1- Take the protective foam out of the box.
- 2- Remove both adjustable handles and the base handle (assembled with vibrator and housing shaft).



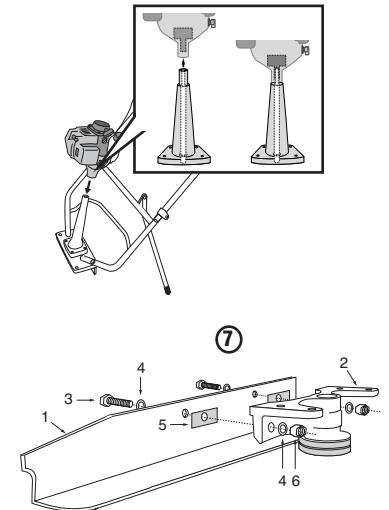
- 3- Insert the adjustable handles into the base handle (throttle control on the right side) and tighten the collar. Do not overtighten.
Note: If ordered with 360° adjustable handles, adjust and tighten to comfort.
- 4- Stand
Place the stand with the flat side against the support, ensuring that one of the nylon washers is on each side of the stand (follow the drawing).
- 5- Assembly of the engine
Remove the engine from the protective foam. Place the engine on the housing shaft, make sure that the driveshaft is inserted in the clutch adaptor, and tighten. (Do not overtighten) (See drawing).



- 6- Put the rounded end of the throttle cable into the throttle control and adjust so that the rubber handle grip becomes the stopper.



- 7- Assembly of the blade
Assemble the blade (1) on the screed vibrator (2) in the following order: bolts (3), washers (4), blade (1), plastic spacers (5), washers (4), nuts (6). (See drawing). Tighten all the above at approximately **85 to 100 Lbs. torque. It is very important that the plastic spacers are always between the vibrator and the blade.** They are used as a cushion and prevent blade damage. If both are not in place, this could void the warranty. Replacement plastic spacers are available at your Magic Screed dealer.



Warning logos on your screed

Logo, explanation and label positioning:

1- Description label; left handle

2- Hot label; near exhaust system

MAGIC SCREED 630 RUE DE L'ARGON Québec, (Québec) CANADA, G2N 2J6	MODEL	HD 7070	ENGINE ASSY.
	YEAR	2013	MASS 13.70 KG
	ENGINE	HONDA	RPM 8500
	35CC	GX 35 TMS3	KW 1.1 KW



3- Appropriate safety gear;
left handle

4- Stop engine before refuelling;
Gas tank



Honda

Model HD 6060, HD 6161, HD 7070, HD 7171 with *Honda engine*

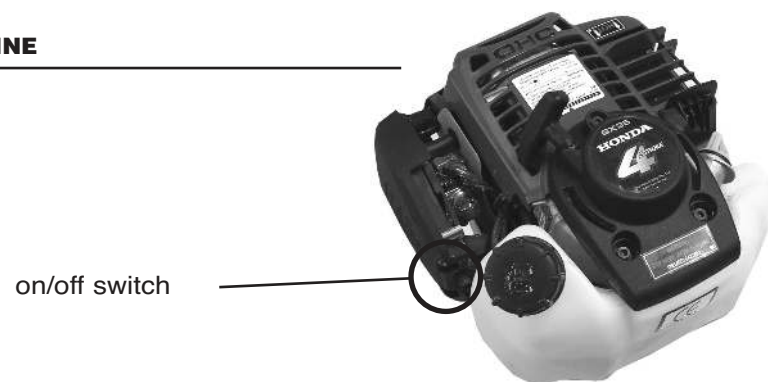
Before starting your Honda engine, consult the **Honda owner's manual** supplied with your screed. **Keep this manual handy.**

Notes:

- The Honda engine on your screed is a 4-cycle engine. It requires unleaded gasoline. Consult your *Honda owner's manual, page 8.*
- The on/off switch is located on the left-hand side, under the carburator of the engine supplied with your screed.
- **Warning:** there is no oil in the engine. To check oil level, consult the *Honda owner's manual, page 9.*

The complete starting procedure is in your Honda owner's manual, pages 4.

HONDA ENGINE



MAGIC SCREED POWER UNITS

- HD 6060 HONDA ENGINE WITH ADJUSTABLE HANDLES ON HEIGHT ONLY
- HD 6161 HONDA ENGINE WITH ADJUSTABLE HANDLES ON HEIGHT ONLY AND EXTRA VIBRO MOUNTS
- HD 7070 HONDA ENGINE WITH ADJUSTABLE HANDLES ON 360°
- HD 7171 HONDA ENGINE WITH ADJUSTABLE HANDLES ON 360° AND EXTRA VIBRO MOUNTS



BLADES

FITS ON ALL POWER UNITS

FT	M	#
4'	1.22	2050
6'	1.80	2051
8'	2.44	2052
10'	3.00	2053
12'	3.66	2054
14'	4.27	2055
16'	4.88	2056



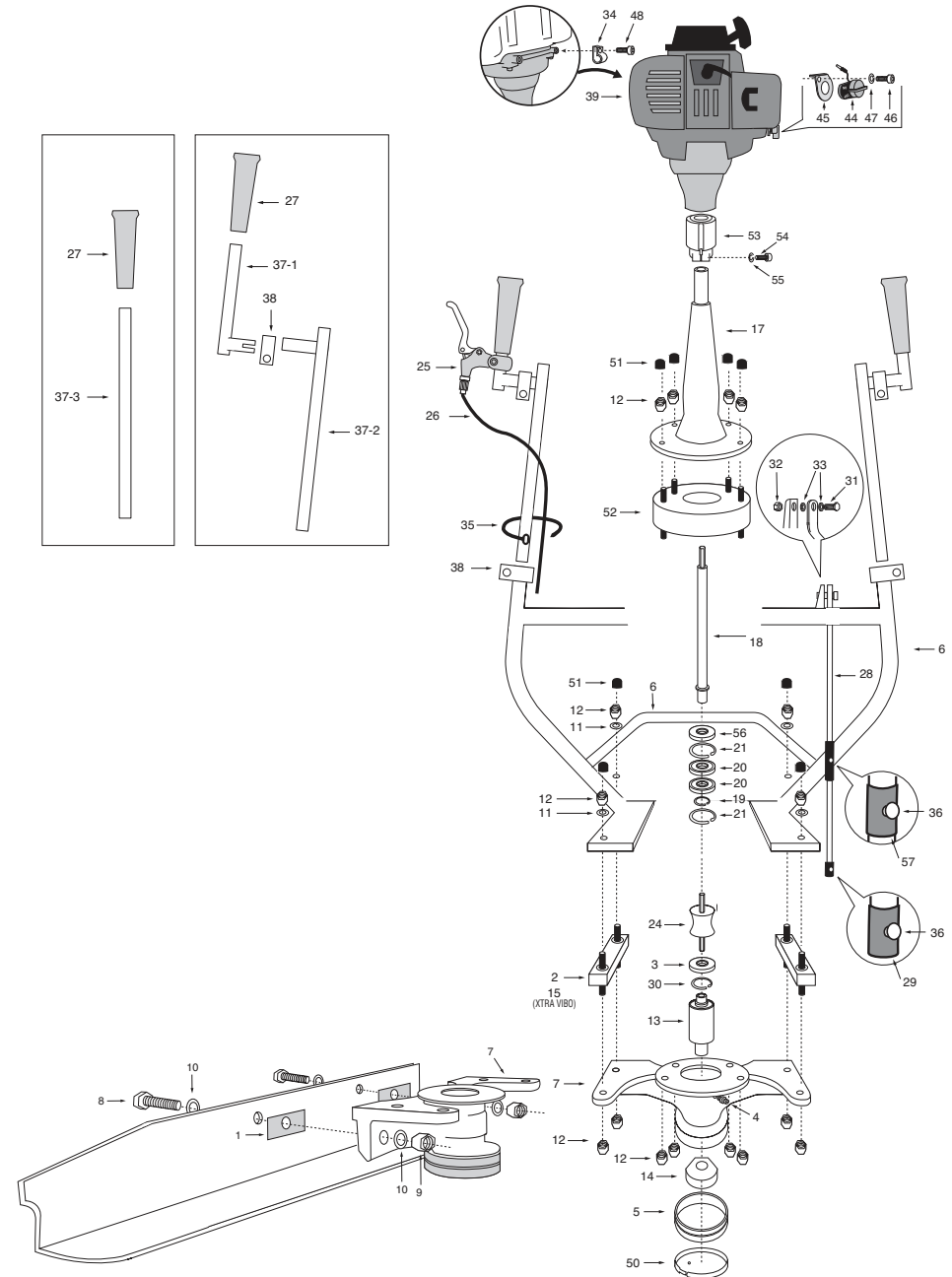
*Other sizes available...

Table of handling information Weight & length of different components and assembly

BLADES	2050		2051		2052		2053		2054		2055		2056	
LENGTH	Feet	Meter	Feet	Meter	Feet	Meter	Feet	Meter	Feet	Meter	Feet	Meter	Feet	Meter
		4	1,22	6	1,8	8	2,44	10	3	12	3,66	14	4,27	16
WEIGHT	LB	KG	LB	KG	LB	KG	LB	KG	LB	KG	LB	KG	LB	KG
	6.7	3	10.1	4.6	13.4	6.1	16.8	7.63	20.2	9.16	23.5	10.68	26.9	11.77

HONDA

DESCRIPTION		QTY	MODEL HD6060	QTY	MODEL HD6161	QTY	MODEL HD7070	QTY	MODEL HD7171
1	PLASTIC SPACER	2	10002	2	10002	2	10002	2	10002
2	VIBRO MOUNT	2	10003			2	10003		
3	SEAL	1	10005	1	10005	1	10005	1	10005
4	GREASE FITTING	1	10008	1	10008	1	10008	1	10008
5	RUBBER COVER	1	10009-2	1	10009-2	1	10009-2	1	10009-2
6	HANDLES	1	50004	1	50004	1	50004	1	50004
6	HANDLE HOLD STYLE	1	10011-2	1	10011-2	1	10011-2	1	10011-2
7	HOUSING WEIGHT	1	50003	1	50003	1	50003	1	50003
8	BOLT 1/2	2	10017	2	10017	2	10017	2	10017
9	NUT 1/2	2	10018	2	10018	2	10018	2	10018
10	WASHER 1/2	4	10019	4	10019	4	10019	4	10019
11	WASHER 8 MM	4	10023	4	10023	4	10023	4	10023
12	NUT 8 MM	16	10024	16	10024	16	10024	16	10024
13	SHAFT ASSY	1	10026	1	10026	1	10026	1	10026
14	COUNTER WEIGHT	1	10027	1	10027	1	10027	1	10027
15	XTRA VIBRO MOUNT			2	10003		2	10003	
17	HOUSING SHAFT	1	50001-2	1	50001-2	1	50001-2	1	50001-2
18	DRIVE SHAFT	1	20003-5050	1	20003-5050	1	20003-5050	1	20003-5050
19	CIRCLIP 13 MM	1	20004	1	20004	1	20004	1	20004
* 20	BEARING	2	20005	2	20005	2	20005	2	20005
* 21	CIRCLIP 29 MM	2	20006	2	20006	2	20006	2	20006
24	DRIVE AXLE	1	20009	1	20009	1	20009	1	20009
25	THROTTLE CONTROL	1	20010	1	20010	1	20010	1	20010
26	THROTTLE CABLE	1	20011	1	20011	1	20011	1	20011
27	GRIP	2	20012	2	20012	2	20012	2	20012
28	STAND	1	20013-1	1	20013-1	1	20013-1	1	20013-1
29	STAND RUBBER	1	20014	1	20014	1	20014	1	20014
30	CIRCLE 1 1/2	1	20016	1	20016	1	20016	1	20016
31	BOLT 1/4	1	200171	1	200171	1	200171	1	200171
32	NUT 1/4	1	20018	1	20018	1	20018	1	20018
33	6 MM NYLON FOR STAND	2	20023	2	20023	2	20023	2	20023
34	THROTTLE CABLE CLIP	1	20024	1	20024	1	20024	1	20024
35	TIE RAP	1	20026	1	20026	1	20026	1	20026
36	POP 1/8 FOR STAND RUBBER	2	20027	2	20027	2	20027	2	20027
37-1	ADJ. HDL. GRIP SECTION					2	20032-2	2	20032-2
37-2	ADJ. HDL. LONG SECTION					2	20032-3	2	20032-3
37-3	TOP SECTION HANDLES	2	20032-4	2	20032-4				
38	CLIP FOR HANDLES	2	20033	2	20033	4	20033	4	20033
39	HONDA ENG. GX 35 TSM3	1	50000	1	50000	1	50000	1	50000
44	ON OFF SWITCH HONDA	1	40005	1	40005	1	40005	1	40005
45	SWITCH BRACKET HONDA	1	40006	1	40006	1	40006	1	40006
46	BOLT FOR 40006	1	40007	1	40007	1	40007	1	40007
47	LOCK FOR 40008	1	40008	1	40008	1	40008	1	40008
48	BOLT FOR 20024 HONDA	1	40010	1	40010	1	40010	1	40010
50	TIE RAP	1	20040	1	20040	1	20040	1	20040
51	CAP FOR 50002	8	50005	8	50005	8	50005	8	50005
52	ANTI VIBRATION SEAL	1	50002	1	50002	1	50002	1	50002
53	ENGINE ADAPTOR	1	50006	1	50006	1	50006	1	50006
54	BOLT M6	1	40002	1	40002	1	40002	1	40002
55	LOCK M6	1	40004	1	40004	1	40004	1	40004
56	HOUSING SHAFT SEAL	1	50008	1	50008	1	50008	1	50008
* 57	RUBBER TUBE	1	50009	1	50009	1	50009	1	50009



* Please refer to the note attached to this manual.

MAGIC SCREED PARTS ASSEMBLY

DA 4050 THROTTLE CABLE ASSEMBLY STANDARD

PART NUMBER	QTY	DESCRIPTION
20011	1	THROTTLE CABLE
20010	1	THROTTLE CONTROL
20026	1	TIE RAP



DA 4051 THROTTLE CABLE ASSEMBLY LONG

PART NUMBER	QTY	DESCRIPTION
20011-L	1	THROTTLE CABLE LONG
20010	1	THROTTLE CONTROL
20026	1	TIE RAP



DA 4055 RUBBER COVER ASSEMBLY

PART NUMBER	QTY	DESCRIPTION
10009-2	1	RUBBER COVER
20040	1	TIE RAP



DA 4057 GRIP ASSEMBLY

PART NUMBER	QTY	DESCRIPTION
20012	1	GRIP SET OF 2



DA 4059 VIBRO MOUNTS

PART NUMBER	QTY	DESCRIPTION
10003	2	VIBRO MOUNTS
10024	8	NUT 8 MM
10023	4	WASHER 8 MM



DA 4059-X X-TRA VIBRO MOUNTS

PART NUMBER	QTY	DESCRIPTION
11003	2	X-TRA VIBRO MOUNTS
10024	8	NUT 8 MM
10023	4	WASHER 8 MM



DA 4061 BOLT & NUT 1/2

PART NUMBER	QTY	DESCRIPTION
10018	2	NUT 1/2
10017	2	BOLT 1/2
10019	4	WASHER 1/2
10002	2	PLASTIC SPACER



MAGIC SCREED PARTS ASSEMBLY

DA 4064 BEARING FOR DRIVE SHAFT

PART NUMBER	QTY	DESCRIPTION
20005	2	BEARING
20004	1	CIRCLIP 13 MM
20006	2	CIRCLIP 29 MM
50009	1	HOUSING SHAFT SEAL



DA 4067 BEARING FOR HOUSING WEIGHT

PART NUMBER	QTY	DESCRIPTION
10026	1	SHAFT ASSY
20016	1	SNAP RING 38 MM
10005	1	SEAL
10008	1	GREASE FITTING



DA 4070 SECONDARY LIFTING HANDLE (HD 4040 HD 5050)

PART NUMBER	QTY	DESCRIPTION
20036	1	SECONDARY LIFTING HANDLE



DA 4073 ENGINE ADAPTOR GX 31

PART NUMBER	QTY	DESCRIPTION
40001	1	ENGINE ADAPTOR GX 31
40003	1	SNAP RING
40002	1	BOLT FOR 40001
40004	1	LOCK FOT 40002



DA 4077 DRIVE AXLE

PART NUMBER	QTY	DESCRIPTION
20009	1	DRIVE AXLE



DA 4080 DRIVE SHAFT ASSEMBLY HONDA

PART NUMBER	QTY	DESCRIPTION
20003-5050	1	DRIVE SHAFT HONDA
20005	2	BEARING
20006	2	SNAP RING 29 MM
20004	1	SNAP RING 13 MM
50009	1	HOUSING SHAFT SEAL



MAGIC SCREED PARTS ASSEMBLY

DA 4088 STAND ASSEMBLY

PART NUMBER	QTY	DESCRIPTION
20013-1	1	STAND
20018	1	NYLON NUT 1/4
20023	2	NYLON WASHER 1/4
20017	1	BOLT 1/4
20014	1	STAND RUBBER
20027	2	RIVET
50009	1	RUBBER TUBE



DA 4090 THROTTLE CABLE FOR ADJ. HANDLE

PART NUMBER	QTY	DESCRIPTION
20011-L	1	THROTTLE CABLE LONG W./ ADJUSTEMENT



DA 4091 THROTTLE CABLE SHORT

PART NUMBER	QTY	DESCRIPTION
20011	1	THROTTLE CABLE W./ ADJUSTEMENT



DA 4095 THROTTLE CABLE FOR ADJ. HANDLE BAG OF 10

PART NUMBER	QTY	DESCRIPTION
20011-L	10	THROTTLE CABLE LONG W./ ADJUSTEMENT



DA 4096 THROTTLE CABLE SHORT BAG OF 10

PART NUMBER	QTY	DESCRIPTION
20011	10	THROTTLE CABLE W./ ADJUSTEMENT



DA 4097 ALLEN 6 MM 5 MM

PART NUMBER	QTY	DESCRIPTION
10056	1	ALLEN 6 MM 5 MM



DA 4098 TIE RAP FOR 10009-2

PART NUMBER	QTY	DESCRIPTION
20040	10	TIE RAP



DA 4099

PART NUMBER	QTY	DESCRIPTION
20026	10	TIE RAP FOR HANDLES



MAGIC SCREED PARTS ASSEMBLY

DA 4100

PART NUMBER	QTY	DESCRIPTION
50002	1	ANTI VIBRATION SEAL
10024	8	NUT 8 MM



DA 4101

PART NUMBER	QTY	DESCRIPTION
50005	8	CAP FOR 8 MM NUT



DA 4102 HOUSING WEIGHT ASSEMBLY

PART NUMBER	QTY	DESCRIPTION
10002	2	PLASTIC SPACER
10005	1	SEAL
10008	1	GREASE FITTING
10009-2	1	RUBBER COVER
10017	2	BOLT 1/2 NF X 1" 3/4
10018	2	NUT 1/2 NF
10019	4	WASHER 1/2
10026	1	SHAFT ASSEMBLY
10027	1	COUNTER WEIGHT
20016	1	CIRCLIP 38 MM
20040	1	TIE RAP HOUSING WEIGHT
50003	1	HOUSING WEIGHT



*** DA 4103-2 HOUSING SHAFT ASSEMBLY**

PART NUMBER	QTY	DESCRIPTION
20003-5050	1	DRIVE SHAFT FOR HD-5050
20004	1	CIRCLIP 13 MM
20005	2	BEARING
20006	2	CIRCLIP 29 MM
50001-2	1	HOUSING SHAFT
50008	1	HOUSING SHAFT SEAL



* Please refer to the note attached to this manual.



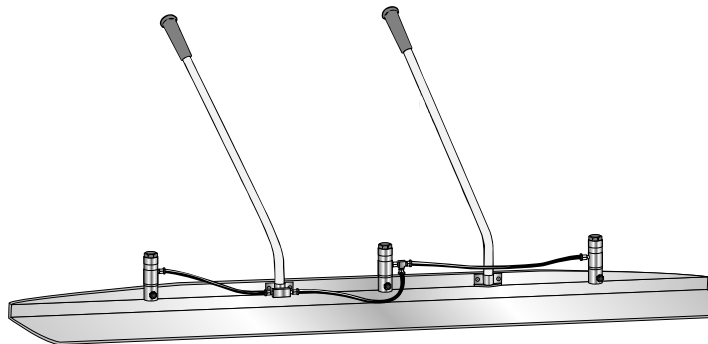
AIR SCREED PARTS

RR-1015	VIBRATOR ASSEMBLY
RR-1016	VIBRATOR REDUCING FITTING
RR-1018	HANDLE BOLT & NUT
RR-1019	TEE CONNECTOR FITTING
RR-1020	AIR HANDLE MAIN SECTION
RR-1020-1	AIR HANDLE ASSEMBLY
RR-1021	AIR VALVE ASSEMBLY
20012	RUBBER HANDLE (SET OF TWO)
RR-1023	AIR HANDLE EXTENTION 5 "
RR-1032	HANDLE L.H.
RR-1045	AIR MANIFOLD ASSEMBLY
RR-1070	1/4 HOSE FITTING
RR-1222	PNEUMATIC HOSE 3/8 (BY THE FEET)
RR-1222-M	PNEUMATIC HOSE 3/8 (BY METER)
RR-1072	BOLT 1/2 NF X 2 1/2 (USE 10018 & 10019)
RR-1073	1/4 PLUG

AIR POWERED SCREED

M	FT	#	BLADES	VIBRATOR
1.22	4'	R3	1011	2
1.80	6'	R2-6	1009	2
2.44	8'	R2	1010	3
3.00	10'	R4	1012	4
3.66	12'	R5	1013	5

* Must use a 25 cfm air compressor at 100 psi



**DECLARATION OF CONFORMITY
MAGIC SCREED INC.**

DECLARES THAT THE EQUIPEMENT

TYPE: *Vibrating screed for leveling concrete*

MODEL: Magic Screed HD6060 - HD 6161
HD7070 - HD7171

E-Screed HDE-1010

SERIAL NUMBER : _____

IS IN ACCORDANCE WITH THE FOLLOWING DIRECTIONS:

2006/42/EC, 2004/108/EC

HAS BEEN MANUFACTURED ACCORDING TO THE FOLLOWING STANDARDS:

BS EN 12649 : 2008 + A1 : 2011.

EN 12100-1 : 2003, EN12100-2 : 2003

Magic screed, 630 rue de l'Argon, Québec, Qc, Canada, G2N 2J6

TEL : 418 849-5037 www.magicscreed.com

By : Benoit Rouillard

NOTE

To keep with your parts book

For all HD7070, HD7171, HD6060, HD6161

- Improvement have been applied to the housing shaft of your Magic Screed.
- A new seal has been added to prevent water that was coming down in the housing shaft while cleaning the engine.
- Please take note and refer at those part numbers when it will be time to service your Magic Screed.



4795 rue Louis-B.-Mayer
Laval, Quebec
Canada H7P 6G5

Sales Office

Tel.: 1 (450) 978-0200
Fax: 1 (450) 682-6654

Plant

Tel.: 1 (418) 849-5037
Fax: 1 (418) 849-0501

Visit our Web site:

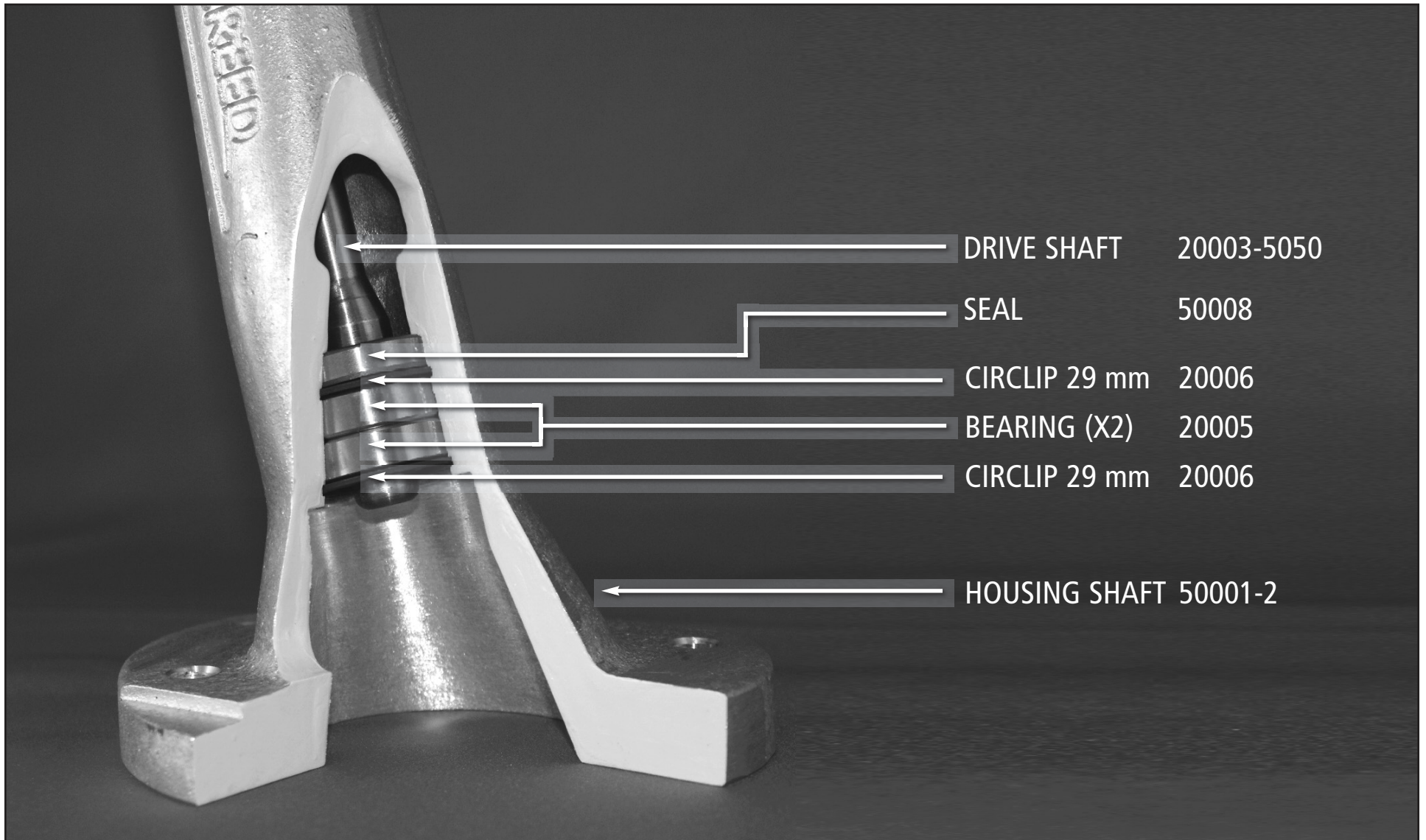
www.magicscreed.com

E-Mail:

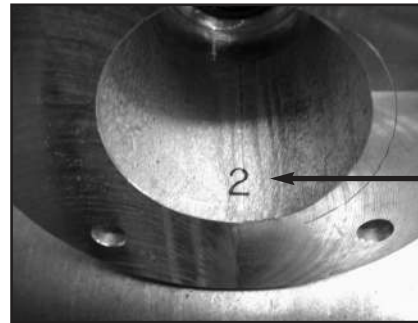
info@magicscreed.com



CUTAWAY VIEW OF THE HOUSING SHAFT



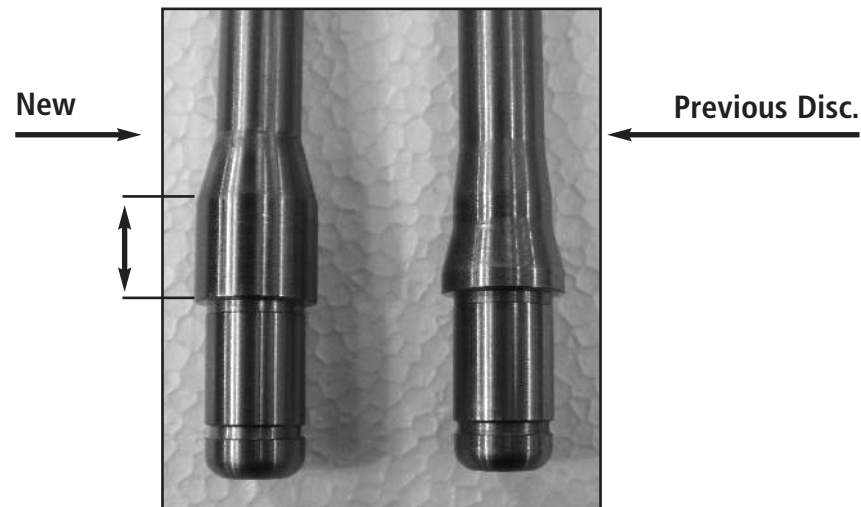
Visual identification of the new parts



Housing Shaft

50001-2

Punched with a #2



- The Drive shaft # 20003-5050 is now modified so it can be used with the new seal. It still fits any Magic Screed equipped with GX 35 Honda Engines.
- Replacement housing shaft will come with the seal and circlip already installed.
- Part # DA 4103 Housing shaft assy. is also discontinued and it's replaced by #DA4103-2